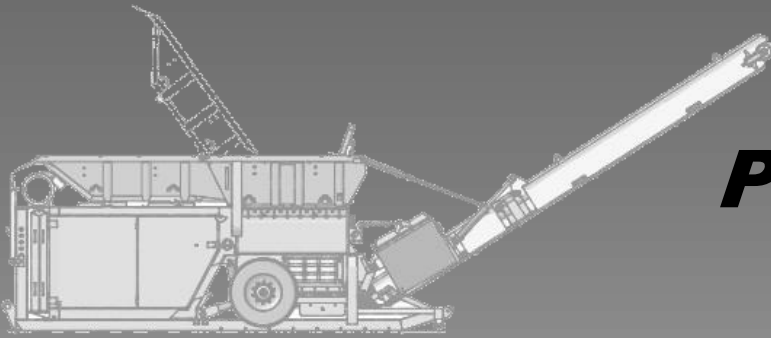




**HAMMEL®**  
**RECYCLINGTECHNIK**



## **Primary Shredder**

### **VB 750 D # 944**



**construction year:** 02 / 2015  
**operation hours:** approx. 250 h  
**drive:** diesel CAT C9 T4i  
**power:** approx. 354 PS

**shafts:** regenerated  
**weight:** approx. 22,0 t  
**colour:** RAL 3020 red  
**warranty:** until 08 / 2016 or  
up to max. 2.000 h



**version:** hook-lift frame  
wheel axle  
breaker bar with combs  
over-belt magnet  
water sprinkling system

**phone:** 338.6625143 Nord Italia  
328.7269648 Centro/Sud

**e-mail:** [info@service.it](mailto:info@service.it)



Extra equipment at additional charge.  
Information subject to change.  
Should you have further questions, please  
do not hesitate to contact us.

status Feb. 2016