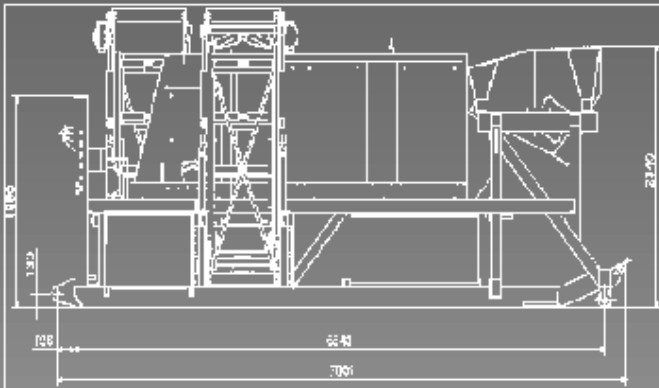




HAMMEL®
RECYCLINGTECHNIK



**Mobile
Eddy-current system
MWA 1000 E # 15**



construction year: 03 / 2010
operation hours: approx. 1.100 h
drive: electric motor
power: 25 kW

weight: approx. 7,2 t
colour: RAL 3020 red
RAL 2000 yellow orange



version: hook-lift frame
2 discharge belts

phone: 338.6625143 Nord Italia
328.7269648 Centro/Sud

e-mail: info@4service.it



Extra equipment at additional charge.
Information subject to change.
Should you have further questions, please
do not hesitate to contact us.

status Feb. 2016

Please note: Pictures are to be considered exemplary.

www.4service.it